

T-46-13-27



# 28C64B

## 64K (8K x 8) CMOS Electrically Erasable PROM

### FEATURES

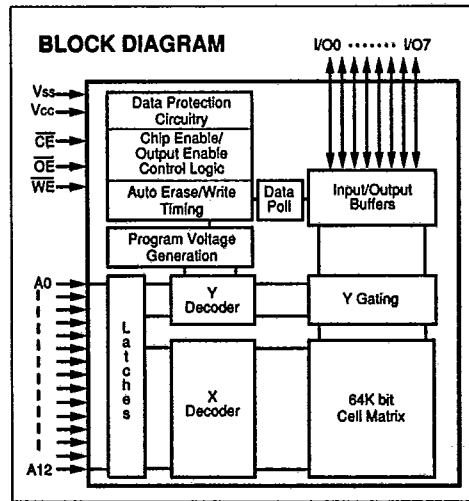
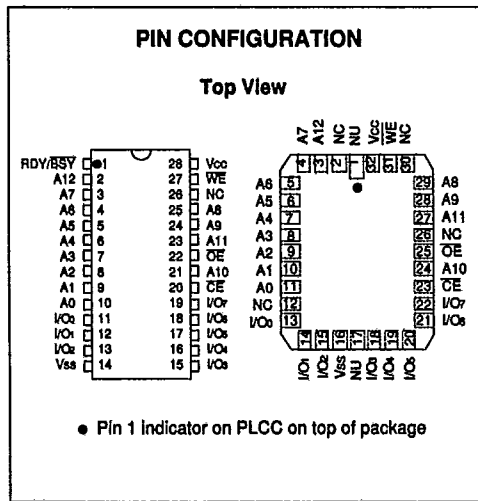
- High Speed Performance - 70, 90, 120, 150, 200, 250ns Access Time
- CMOS Technology for Low Power Dissipation
  - 70mA Active
  - 150µA Standby
- Fast Write Cycle Times
  - 64-Byte Page Write Operation
  - Page or Byte Write Cycle - 2ms
  - Average Byte Write Time - 31µs
- High Endurance/Retention
  - 10<sup>4</sup> Erase/Write Cycles
  - >10 Years Data Retention
- JEDEC-Approved
  - Byte Wide Pinout, 28 Pin DIP or 32 Pin Chip Carrier
- Hardware Chip Clear
- Hardware Data Protection
- Software Data Protection
- Write Operation Status
  - RDY/BSY
  - Data Polling
  - Toggle Bit
  - Software Data Protection Status
- Available in Extended Temperature Range:
  - Commercial: 0°C to +70°C
  - Industrial: -40°C to +85°C
  - Military \*: -55°C to +125°C

### DESCRIPTION

The Microchip Technology Inc. 28C64B is a CMOS 64K bit Electrically Erasable and Programmable Read only Memory. The device is organized as 8K words by 8 bits (8K bytes). An advanced CMOS design and process provides high speed while reducing power requirements. This very high speed device allows the most sophisticated microprocessors to run at full speed without the need for wait states.

The 28C64B is accessed like a static RAM for the read or write cycle without the need of external components. During a write operation, the address and 1 to 64 bytes of data are latched internally, freeing the microprocessor address and data bus for other operation. Following the initiation of a write cycle, the device will go to a busy state and automatically clear and write the latched data using an internal control timer. The completion of a write cycle is detected by either Data polling of output (I/O<sub>7</sub>) or the Toggle Bit (I/O<sub>6</sub>).

\* See Military Data Sheet DS60037.



**28C64B**

T-46-13-27

PIN FUNCTION TABLE	
Name	Function
A0-A12	Address Inputs
CE	Chip Enable
OE	Output Enable
WE	Write Enable
I/O <sub>0</sub> -I/O <sub>7</sub>	Data Input/Output
Vcc	+5V
Vss	Ground
NC	No Connection: no internal connection
NU	Not used: no external connection is allowed

**ELECTRICAL CHARACTERISTICS**

**Maximum Ratings\***

Vcc and Input Voltage W.R.T. Vss: .....-0.6V to 6.25V  
 All Output Voltage W.R.T. Vss: .....-0.6V to Vcc +0.6  
 Voltage of OE W.R.T. Vss .....-0.6V to 13.5V  
 Temperature Under Bias .....-55°C to +125°C  
 Storage Temperature .....-65°C to +150°C

\*Notice: Stresses above those listed under "Maximum ratings" may cause permanent damage to the device. This is a stress rating only and functional operation of the device at those or any other conditions above those indicated in the operational listings of this specification is not implied. Exposure to maximum rating conditions for extended periods may affect device reliability.

DC CHARACTERISTICS		Vcc = +5V ± 10%				
		TAMB: Commercial: 0°C to +70°C				
		Industrial: -40°C to +85°C				
Parameter	Status	Symbol	Min	Max	Units	Conditions
Input Voltages	Logic "1"	V <sub>IH</sub>	2.0	Vcc +1	V	
	Logic "0"	V <sub>IL</sub>	-0.1	0.8	V	
Input Leakage		I <sub>LI</sub>	-10	10	µA	V <sub>IN</sub> = 0V to Vcc +1.0V
Input Capacitance		C <sub>I</sub>	-	10	pF	V <sub>IN</sub> = 0V; TAMB = 25°C; f = 1MHz
Output Voltages	Logic "1"	V <sub>OH</sub>	2.4	-	V	I <sub>OH</sub> = -400µA I <sub>OL</sub> = 2.1mA
	Logic "0"	V <sub>OL</sub>	-	0.45	V	
Output Leakage		I <sub>LO</sub>	-10	10	µA	V <sub>OUT</sub> = 0 to Vcc
Output Capacitance		C <sub>O</sub>	-	10	pF	V <sub>OUT</sub> = 0V; TAMB = 25°C; f = 1MHz
Address and Control Capacitance		C <sub>IN</sub>	-	6	pF	V <sub>IN</sub> = 0V; TAMB = 25°C; f = 1MHz
Power Supply Current, Active	TTL Input	I <sub>CC1</sub>	-	70	mA	TAMB = 0°C to 70°C; TAMB = -40°C to 85°C; other conditions: Vcc = 5.5V, max frequency OE = CE = V <sub>IL</sub> , I <sub>OUT</sub> = 0mA, V <sub>IL</sub> = -0.1V to 0.8V V <sub>IH</sub> = 2.0V to Vcc
Power Supply Current, Standby	TTL Input	I <sub>CC(s)1</sub>	-	1	mA	TAMB = 0°C to 70°C; CE = V <sub>IH</sub> TAMB = -40°C to 85°C; CE = V <sub>IH</sub> all TAMB; OE = Vcc ± 0.2V
	CMOS Input	I <sub>CC(s)3</sub>	-	150	µA	

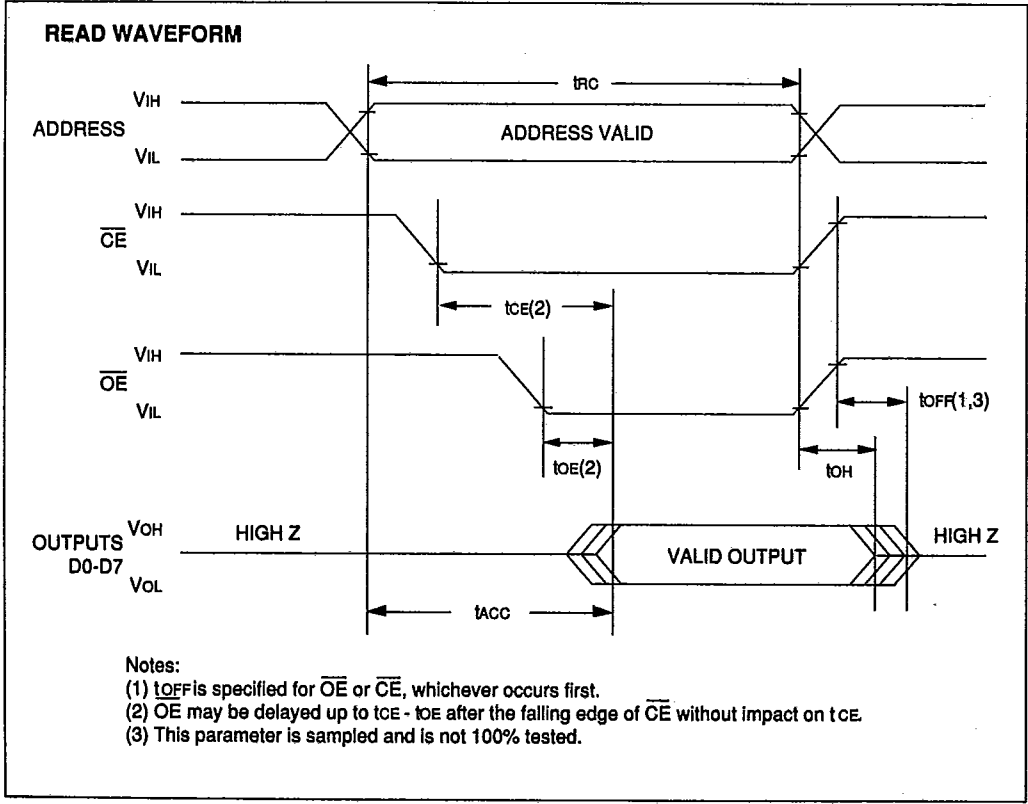
**28C64B**

T-46-13-27

**READ OPERATION AC Characteristics**

Testing Waveform:  $V_{IH} = 2.4V$ ;  $V_{IL} = 0.45V$ ;  $V_{OH} = 2.0V$ ;  $V_{OL} = 0.8V$   
 Output Load: 1 TTL Load + 100pF  
 Input Rise and Fall Times: 20 nsec  
 Ambient Temperature: Commercial:  $T_{AMB} = 0^{\circ}C$  to  $+70^{\circ}C$   
 Industrial:  $T_{AMB} = -40^{\circ}C$  to  $+85^{\circ}C$

Parameter	Symbol	28C64B-70		28C64B-90		28C64B-12		28C64B-15		28C64B-20		28C64B-25		Units	Test
		Min	Max	Min	Max	Min	Max	Min	Max	Min	Max	Min	Max		
Read Cycle Time	$t_{RC}$	70	-	90	-	120	-	150	-	200	-	250	-	ns	-
Address to Output Delay	$t_{ACC}$	-	70	-	90	-	120	-	150	-	200	-	250	ns	$\overline{CE} = \overline{OE} = V_{IL}$
$\overline{CE}$ to Output Delay	$t_{CE}$	-	70	-	90	-	120	-	150	-	200	-	250	ns	$\overline{OE} = V_{IL}$
$\overline{OE}$ to O/P Delay	$t_{OE}$	0	35	0	40	0	50	0	70	0	80	0	100	ns	$\overline{OE} = V_{IL}$
$\overline{CE}$ or $\overline{OE}$ to O/P Float	$t_{OFF}$	0	35	0	40	0	50	0	65	0	70	0	70	ns	
Output Hold From Address, $\overline{CE}$ or $\overline{OE}$ , whichever occurs first	$t_{OH}$	0	-	0	-	0	-	0	-	0	-	0	-	ns	



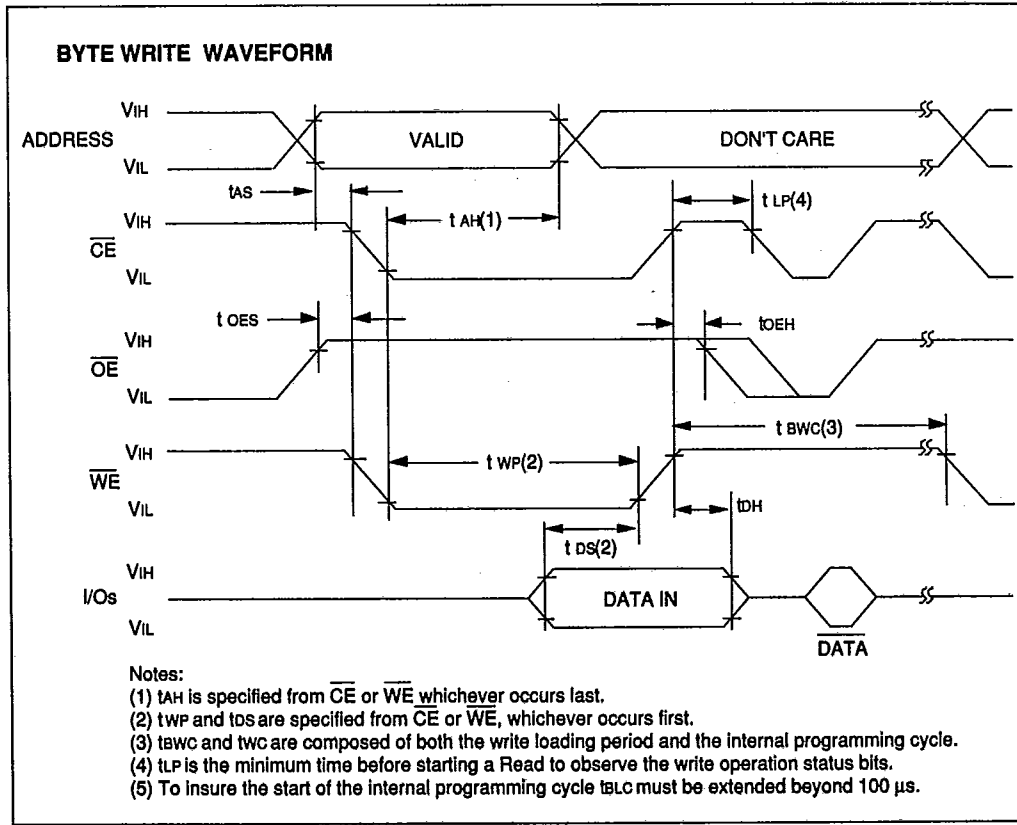
**28C64B**

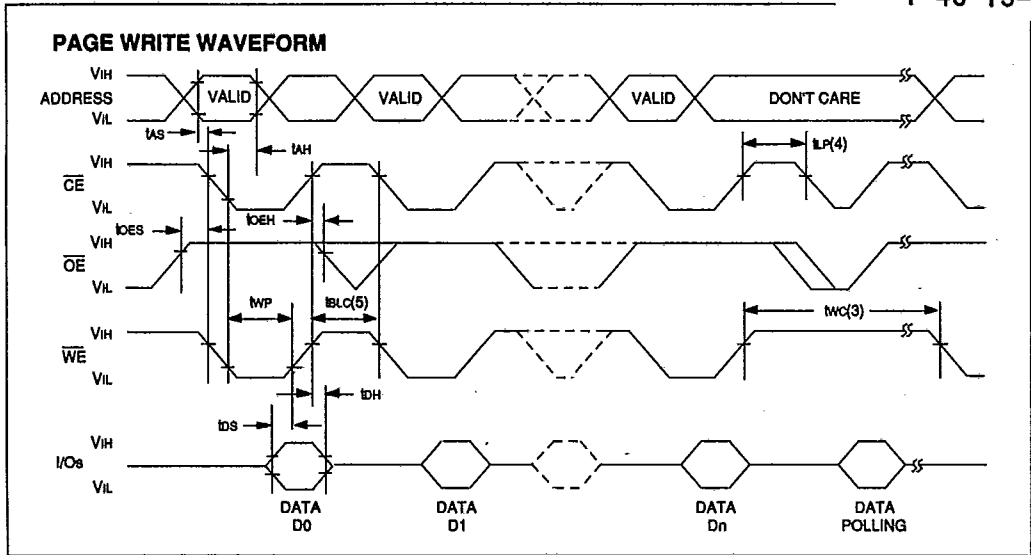
T-46-13-27

**BYTE WRITE AC Characteristics**

Testing Waveform:  $V_{IH} = 2.4V$ ;  $V_{IL} = 0.45V$ ;  $V_{OH} = 2.0V$ ;  $V_{OL} = 0.8V$   
 Output Load: 1 TTL Load + 100pF  
 Input Rise and Fall Times: 20 nsec  
 Ambient Temperature: Commercial:  $T_{AMB} = 0^{\circ}C$  to  $+70^{\circ}C$   
 Industrial:  $T_{AMB} = -40^{\circ}C$  to  $+85^{\circ}C$

Parameter	Symbol	28C256 - 90/12/15/20/25			Units	Conditions
		Min	Typ	Max		
Write Cycle Time	t <sub>WC</sub>	-	1	2	ms	-
Byte Write Cycle Time	t <sub>BWC</sub>	-	1	2	ms	(see Note 3)
Address Set-Up Time	t <sub>AS</sub>	0	-	-	ns	-
Address Hold Time	t <sub>AH</sub>	50	-	-	ns	-
$\overline{OE}$ Set-Up Time	t <sub>OES</sub>	0	-	-	ns	-
$\overline{OE}$ Hold Time	t <sub>OEH</sub>	0	-	-	ns	-
Data Set-Up Time	t <sub>DS</sub>	50	-	-	ns	-
Data Hold Time	t <sub>DH</sub>	0	-	-	ns	-
Write Pulse Width	t <sub>WP</sub>	100	-	-	ns	-
Byte Load Timer Cycle	t <sub>BLC</sub>	0.1	-	150	$\mu$ s	(see Note 5)
Byte Loading Period	t <sub>LP</sub>	100	-	-	ns	(see Note 4)





**DEVICE OPERATION**

The Microchip Technology Inc. 28C64B has five basic modes of operation - read, standby, page or byte write, write inhibit and chip clear - as outlined in the following table.

Operation	CE	OE	WE	I/O
Read	VIL	VIL	VIH	DOUT
Standby	VIH	X(1)	X	High Z
Write (2)	⓪	VIH	⓪	DIN
- Byte/Page	X	VIL	X	High Z/DOUT
Write Inhibit	VIH	X	X	High Z
Write Inhibit	X	X	VIH	High Z/DOUT
Chip Clear (3)	VIL	VH	⓪	High Z

Notes: (1) X = any TTL level  
 (2) Refer to "Programming Waveforms"  
 (3) Refer to "Chip Clear Waveforms"  
 (4) ⓪ = Low going pulse  
 (5) VH = 12V ± 5%

**Read**

The read is initiated by presenting a stable address to the memory along with WE as high, CE as low and OE as low. The outputs are put in a high impedance state whenever CE or OE is high. This dual line control gives designers increased flexibility in preventing bus contention.

**Byte Write**

The byte write is initiated when CE and WE are low and OE is high. The address is latched on the falling edge of either CE or WE, whichever occurs last. The write data is latched on the rising edge of either CE or WE, whichever occurs first. The 28C64B performs an auto clear before write. After tWP the write operation status bits are available and the CE, WE and OE signals may be removed.

**Page Write**

The page write allows 2 to 64 bytes of data to be written into the 28C64B in one internal programming cycle. Internally, there are 64 byte registers (one page) addressed by A0 through A5. Data is loaded into corresponding registers during the loading period and all data will be written into the specified page of memory at once. Each successive byte load cycles, started by the falling edge of WE or CE, whichever occurs last, must begin within 150µs from the rising edge of the preceding write control signal (WE or CE). Otherwise, the loading period ends and the internal programming cycle starts. If page address (A6 through A12) does not stay the same through the entire loading period, all data loaded will be written into the page address of the last data written. Only those bytes which have been loaded will be programmed. The unselected bytes in the page will not receive a programming cycle, and thus the endurance of the array is preserved. After tWP the write operation status bits are available and the CE, WE and OE signals may be removed.

**Write Operation Status Bits**

The 28C64 provides the user four write operation status bits. RDY/BSY pin is used for write cycle status, I/O7 is used for Data Polling. I/O6 is used as a Toggle Bit, and I/O3 is used for software data protect status bit.

**Data Polling:** During the write loading period and the internal programming cycle and attempted read results in the complementary of the last data on I/O7. Once the internal programming cycle is completed, true data is available.

**RDY/BSY:** The 28C64B has a write cycle similar to that of a Static RAM. The write cycle is completely self-timed and initiated by a low going pulse on the WE pin. On the falling edge of WE, the address information is latched. On rising edge, the data and the control pins (CE and OE) are latched. The Ready/Busy pin goes to a logic low level indicating that the 28C64B is in a write cycle which signals the microprocessor host that the system bus is free for other activity. When Ready/Busy goes back to a high, the 28C64B has completed writing and is ready to accept another cycle.

**Toggle Bit:** During the write loading and the internal programming cycle I/O6 will toggle on each attempted read. The first read value is "0". The toggle operation will cease after completion of the internal programming cycle.

**Page Load Timer (I/O5)**

During the write loading period and internal programming cycle, I/O5 will show the page-load timer status on read operation. "0" means it is still in the loading window. "1" tells the user that the loading period has expired and the internal programming cycle has begun.

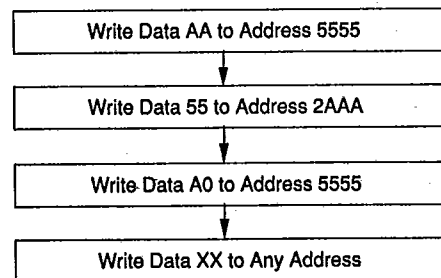
**Software Data Protect Status Bit:** During the write loading period and internal programming cycle I/O3 will show either a "1", meaning the chip is software data protected or a "0", meaning the chip is not in the software data protection mode.

**Hardware Data Protection**

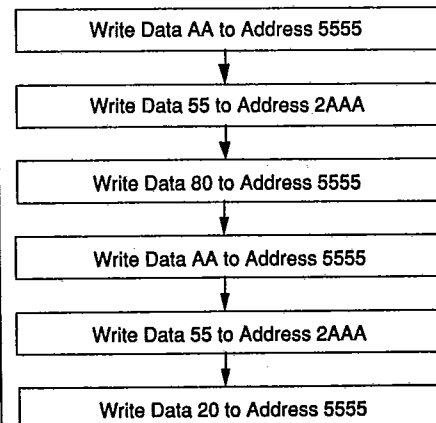
The 28C64B offers protection against inadvertent write operations by the following hardware features: (1) if VCC is below 3 volts the write operation is inhibited; (2) after VCC is above 3.8 volts, the 28C64B will automatically wait 5ms until a write operation is allowed; (3) a filter circuit on WE or CE prevents pulses of less than 20ns duration from initiating a write cycle; and (4) holding WE or CE high, or OE low inhibits a write cycle.

**Software Data Protection**

The 28C64B offers a software-controlled data protection feature. Once software data protection is employed, the 28C64B is automatically protected during power-up or power-down without the need for external circuitry. The 28C64B is further protected from inadvertent and accidental writes in the power on state. Setting the software data protection mode requires a series of three bytes of data to be written consecutively into three specific addresses. The write sequence must conform to the page write timing specifications. Figure 1 shows the sequence of setting the software data protect mode. The third byte of the algorithm effectively opens the page write window to enable up to 64 bytes of data to be written. Once the internal programming cycle is complete, the 28C64B will automatically be returned to the software data protection state. Addition writes into a protected device requires the complete software data protection setting sequence to be executed. The soft-

**FIGURE 1 SOFTWARE DATA PROTECTION SETTING SEQUENCE**

Note: After time twc the 28C64B will automatically enter the software data protection state.

**FIGURE 2 SOFTWARE DATA PROTECTION RESETTING SEQUENCE**

ware data protection circuit can be reset by performing a series of six byte writes as shown in Figure 2. Page writing is allowed immediately after the sixth write of the reset algorithm.

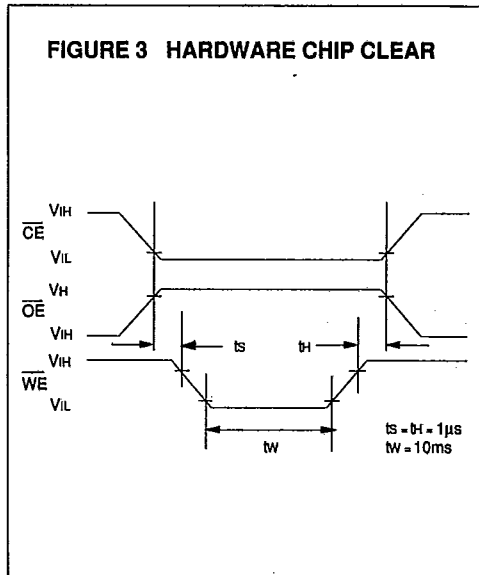
**Hardware Chip Clear**

he 28C64B array is cleared to all "1"s by raising  $\overline{OE}$  to 12V and setting  $\overline{CE}$  to VIL and then bringing the  $\overline{WE}$  to VIL. See Figure 3.

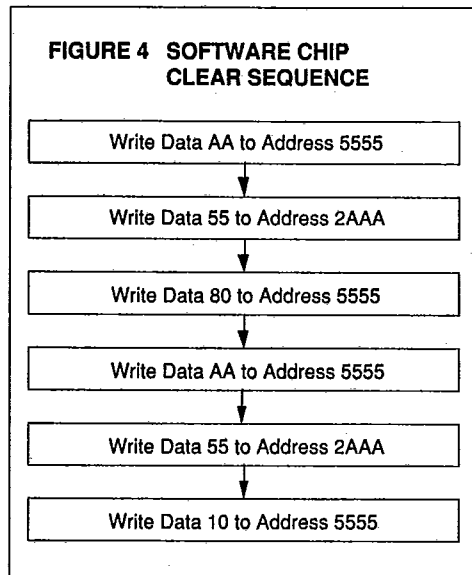
**Software Chip Clear**

The 28C64B also provides a software-controlled chip clear feature. The memory can be cleared by issuing a series of six-byte codes to specific addresses. The software chip clear algorithm is shown in Figure 4. The software chip clear functions only when write protection is reset. During the 10ms chip clear cycle, both data polling and toggle bit features can be used to detect the internal programming status.

**FIGURE 3 HARDWARE CHIP CLEAR**



**FIGURE 4 SOFTWARE CHIP CLEAR SEQUENCE**



**28C64B**

T-46-13-27

**SALES AND SUPPORT**

To order or to obtain information, e.g., on pricing or delivery, please use the listed part numbers, and refer to the factory or the listed sales offices.

