

Fast Column Access E²PROM

FEATURES

- 35ns Access Time
 - Within 64-Byte Page Boundaries
 - Page Crossing Status Output—WAIT
- 5 Volt Byte and Page Alterable
 - Write From One to Sixty-Four Bytes
 - Write Time—5ms Max.
 - Complete Memory Rewrite: 2.5 Sec. Max.
- Early End of Write Detection
 - DATA Polling
 - Toggle Bit Polling
 - Minimize Memory Rewrite: 1.5 Sec. Typical
- Software Data Protection
- Highly Reliable Direct Write™ Cell
 - Endurance: 10,000 Cycles Per Byte
 - Data Retention: 100 years

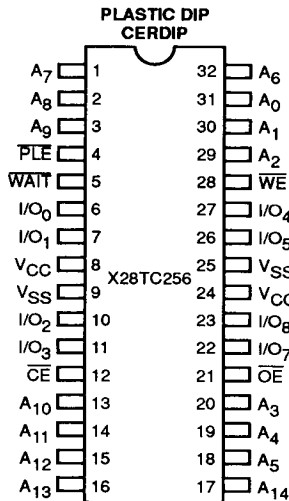
DESCRIPTION

The X28TC256 is a high speed 32K x 8, 5 volt byte alterable nonvolatile memory. It is specially designed to support high speed microprocessors by providing a fast column access time of 35ns for each byte on a 64-byte page. The access time when changing pages will be 150ns maximum. The X28TC256 automatically generates a WAIT signal when page boundaries are crossed.

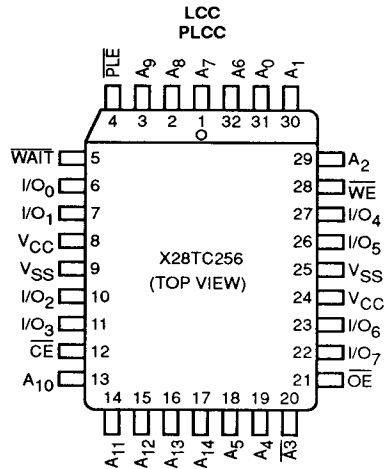
The X28TC256 also features DATA Polling and toggle bit polling methods for detecting early end of write. Using either of these polling features, the entire memory can typically be rewritten in 1.5 seconds.



PIN CONFIGURATION



3860 FHD F02



3860 FHD F03

X28TC256

FUNCTIONAL DIAGRAM

